

### 1. Name

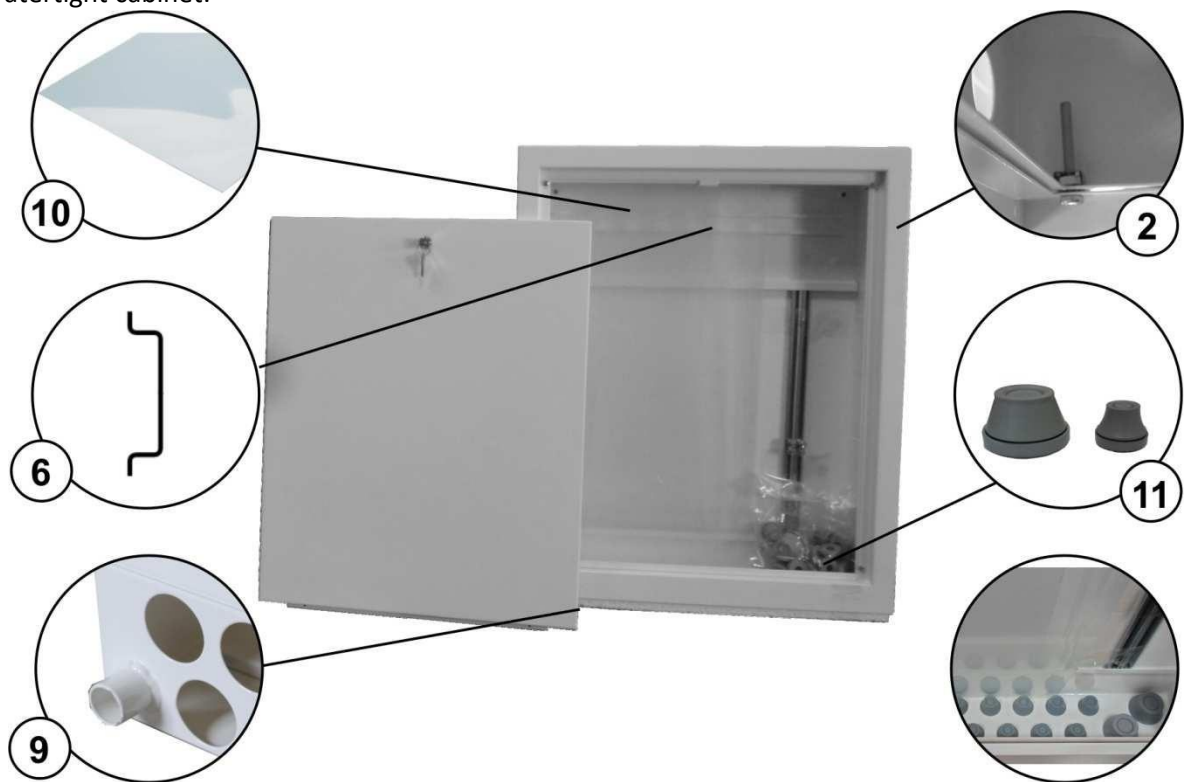
Watertight cabinets.

### 2. Characteristics and intended use.

Watertight cabinets are used for installation of manifolds for heating and sanitary systems. Cabinets are watertight thanks to a system of rubber fittings inserted in the special holes placed in the cabinets' bottom. Additionally, inside the cabinet there are plastics sheets covering manifold mounted inside the cabinet and preventing water spray from getting outside of the cabinet.

### 3. Construction

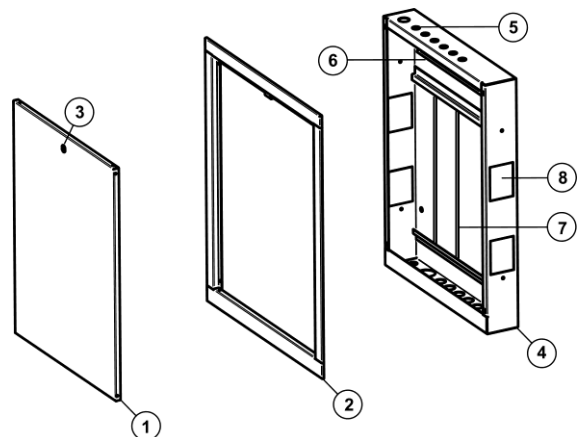
Watertight cabinet:



- 1. Door
- 2. Frame with depth regulation up to 20mm
- 3. Lock
- 4. Body
- 5. Holes for wires
- 6. DIN rail
- 7. Rails for mounting manifold brackets
- 8. Holes for feeding pipes
- 9. Drain pipe fi 25mm, 27mm long

Accessories:

- 10. Plastic sheets
- 11. Rubber fittings

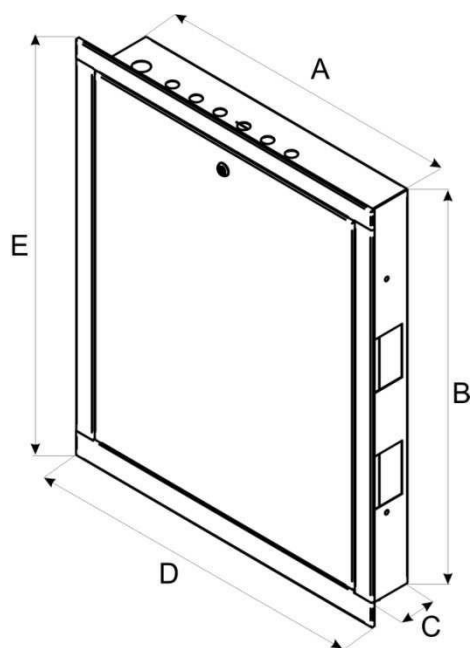
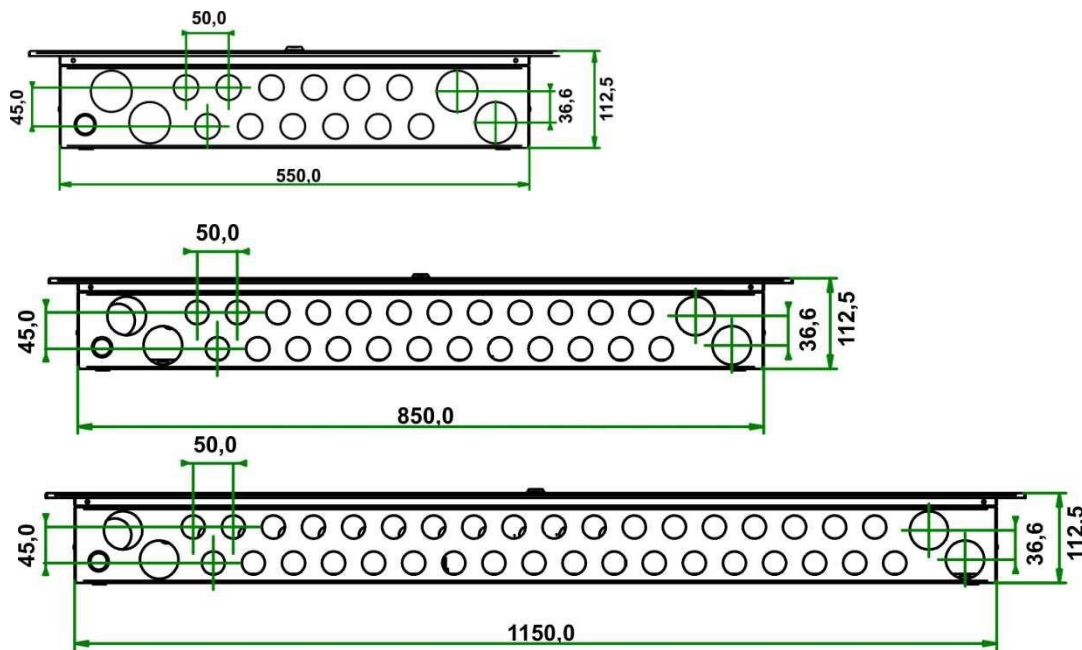


#### 4. Principle of operation

Cabinets are either attached to the wall or inserted in a hole specially prepared in the wall. Thanks to regulated frame, the cabinets may be adjusted to the depth of the hole made in the wall. Door of the cabinets are equipped with lock and key. Manifolds can be mounted in the cabinet using rails with adjustable distance and a set of mounting screws. Inside the cabinet there is also a DIN rail intended for mounting wiring centers.

At the bottom of cabinets there are factory-made holes enabling connection of the heating loops to the manifold.

#### 5. Dimensions



Cabinet size (mm)	Dimensions [mm]				
	Width A	Height B	Depth C	Total width D	Hight of the body E
<b>In-wall watertight cabinet</b>					
<b>550</b>	550	708	95	622	750
<b>850</b>	850	708	95	922	750
<b>1150</b>	1150	708	95	1222	750